

## LAVASTOVIGLIE A CAPPOTTINA HOOD TYPE DISHWASHER

# WT65

Code	Type	Ref.	Pagina/ Page	Code	Type	Ref.	Pagina/ Page
<b>ATMOSFERICA</b>				<b>PRESSIONE</b>			
504156	WT65E	a	2 3 5 7	504219	WT65ROW	r	2 4 6 7
504157	WT65EB	b	2 3 5 7	504225	WT65ROW60	t	2 4 6 7
504158	WT65EI	c	2 3 5 7				
504166	WT65EBI	d	2 3 5 7				
504167	WT65EBIA	e	2 3 5 7 8 9				
504168	WT65EIA	f	2 3 5 7 8 9				
504169	WT65E60	g	2 3 5 7				
504170	WT65EB60	h	2 3 5 7				
504173	WT65EBIDG	k	2 3 5 7				
504174	WT65EBASIA	l	2 3 5 7				
504175	WT65EIM50	m	2 3 5 7				
504176	WT65EIM60	n	2 3 5 7				
504180	WT65MED	o	2 3 5 7 8 9				
504183	WT65E/J50	p	2 3 5 7				
504186	WT65E/J60	q	2 3 5 7				
504222	WT65EID	s	2 3 5 7				
698029	HT1200BIDG	z	2 3 5 7				

**Pagina/ Page**
**Indice/ index**

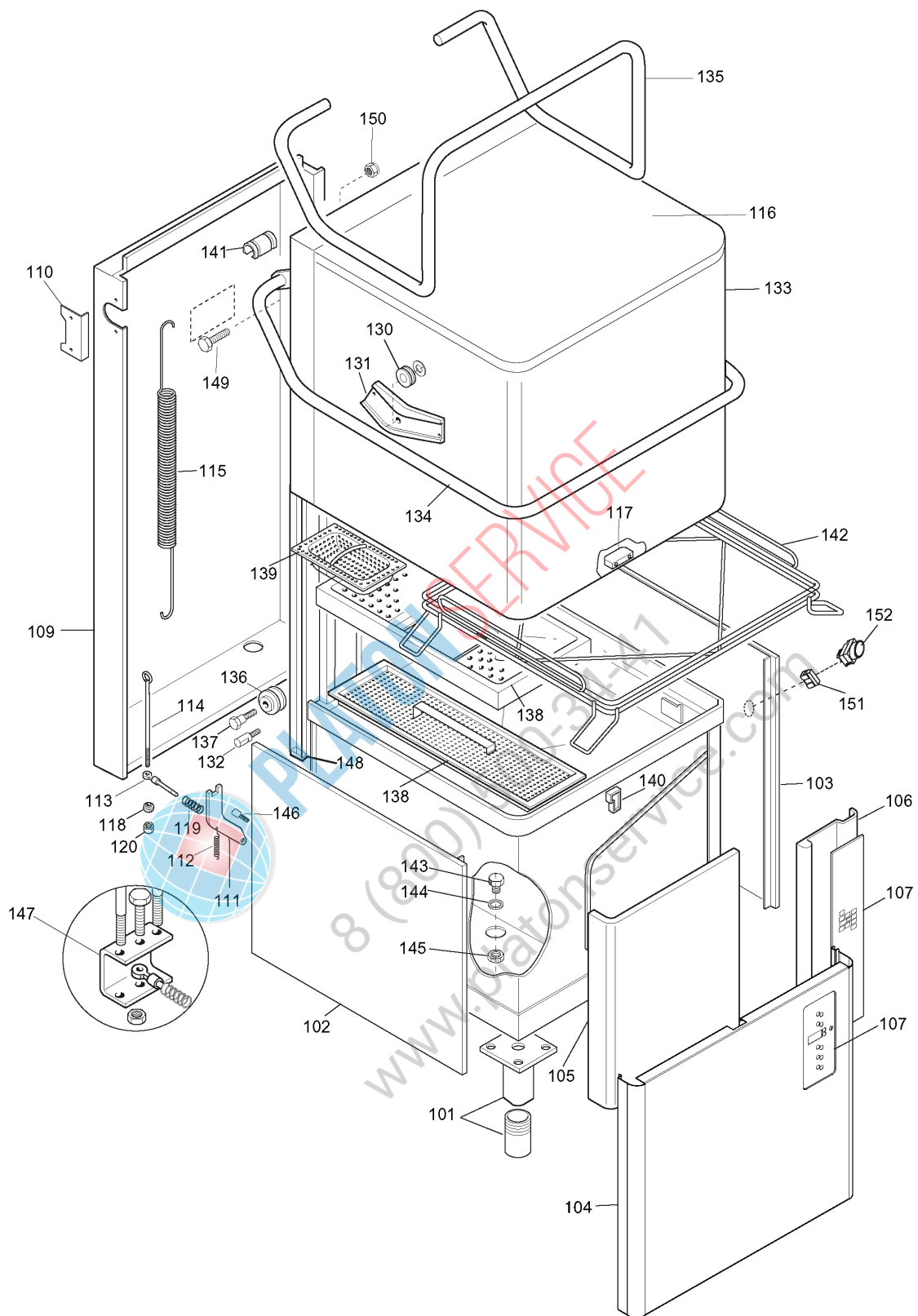
2	Vista generale / Main view
3	Componenti idraulici / Hydraulic components
4	Componenti idraulici (per WT65ROW) / Hydraulic components (for WT65ROW)
5	Circuiti idraulico / Hydraulic circuit
6	Circuito idraulico (per WT65ROW) / Hydraulic circuit (for WT65ROW)
7	Componenti elettrici / Electrical components
8	Componenti AU / AU components
9	Componenti AU / AU components
10 - 19	Lista ricambi / Spare parts list

**Marchio/ Brand:** E  
**Paese/ Country:** Tutti/ All

Da Ser.Nr./From Ser.nr.: /222....

Ed. 2008-05

**Doc. Nr.: 6-41 804**



ill. 641804p1  
 Vista generale / Main view

Da Ser.Nr./From Ser.n.: /222.... Page: 2      Ed. 2006-03	<b>Doc. Nr.: 6-41 804</b>
--	---------------------------

??????	504222									
??????	6-41804		???????? 2				Main view			
.		Alias		S			.			(Euro)
0101	048579			S				COMPLETE FOOT; H=153MM	a,b,c,d,e,f,g,h,k,l,o,p,q,s,z - From Ser. Nr. 713	16,66
0101	0L0016							FOOT; CPL	a,b,c,d,e,f,g,h,k,l,o,p,q,s,z - Up to Ser. Nr. 712	23,45
0102	049574							LEFT SIDE PANEL		
0103	049573							RIGHT SIDE PANEL	a,b,c,d,g,h,k,l,m,n,p,q,s,z,r,t	
0104	0L1134							CONTROL PANEL; ASSY WT65	a,b,c,d,e,f,g,h,l,m,n,o,q,s - From Ser. nr.: 620 Up to Ser. Nr.: 810	373,50
0104	0L1685							CONTROL PANEL; LS14	a,b,c,d,e,f,g,h,l,m,n,o,q,s - From Ser. nr.: 811	137,00
0105	0L0287				D		CGX200 6-08	FRONT PANEL	Up to Ser. nr.: 619	
0107	0L1137							ADHESIVE MEMBRANE; WT65	a,b,c,d,g,h,k,l,m,n,p,q,s - From Ser. nr.: 620 Up to Ser. Nr.: 810	120,80
0107	0L1673	0L3693						ADHESIVE MEMBRANE; WT65	a,b,c,d,g,h,k,l,m,n,p,q,s - From Ser. Nr.: 811	37,05
0109	0L0002	0C1406						BACK	a,b,c,d,e,f,g,h,l,o,p,q,r,s, t	
0110	0L0003							CLOSURE;BACK	a,b,c,d,e,f,g,h,k,l,o,p,q,s,z,r,t	16,03
0110	0L0004							CLOSURE; BACK	a,b,c,d,e,f,g,h,k,l,o,p,q,s,z,r,t	10,18
0111	049578							LEVER		11,89
0112	049584							SPRING		3,69
0113	049587							PIN		7,85
0113	049591							PIN	c,d,k,m,n,s,z	7,85
0114	049583			S				SPRING STRETCHER		10,18
0115	049582			S				SPRING	a,b,c,d,g,h,k,l,m,n,p,q,s,z	34,71
0116	049794							LID		198,90
0117	049627			S				MAGNET		9,82
0118	049761			S				BUSH		1,91
0119	049585							SPRING		2,86
0120	0H2562			S		+		FLANGE NUT M6		1,02
0130	049598			S				ROLLER; FOR HOOD HANDLE		2,32
0131	049597			S				RUNNER; FOR HANDLE		7,60
0132	048635							PIN		11,74
0133	0L0433							COVERING; WT 65	c,d,k,s,z - From ser. nr.: 407	637,00
0134	049989							HANDLE	a,b,c,d,g,h,k,l,m,n,p,q,s,z	226,30
0136	048657			S				SMALL WHEEL		1,87
0137	048656			S				PIN		10,16
0138	048251	049846						FILTER	a,b,c,d,e,f,g,h,k,l,m,n,o,p,q,s,z	
0139	048252							FILTER	a,b,c,d,e,f,g,h,k,l,m,n,o,p,q,s,z	62,83
0140	0L1871			S	A	Kit		REED SWITCHT; KIT		20,40
0141	049594			S				SPRING SUPPORT		2,46
0142	049629			S				RUNNER FOR BASKET		106,60

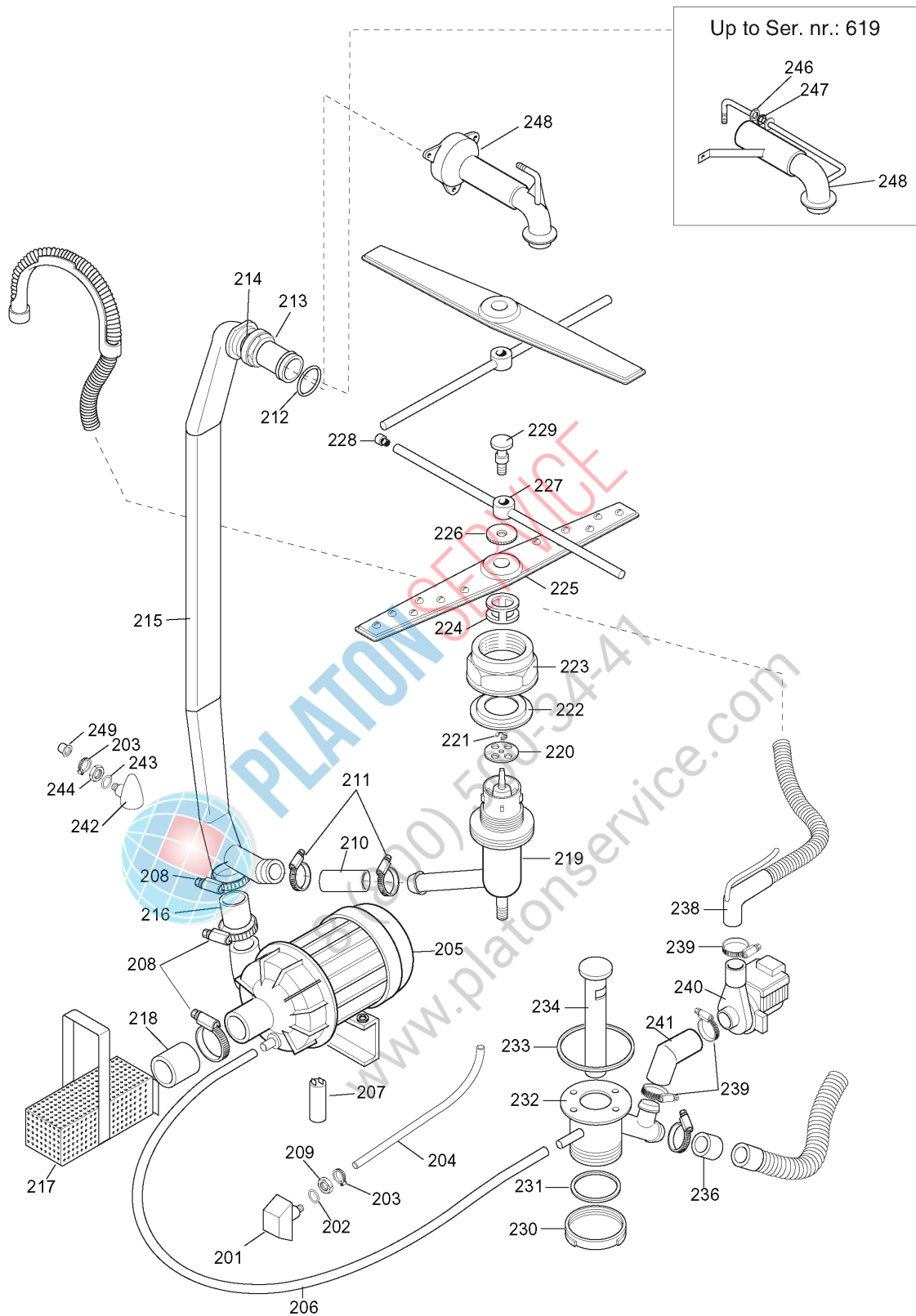
??????	504222								
??????	6-41804		???????? 2				Main view		
.		Alias		S			.		(Euro)
0143	049502			S				PLUG; M20X1,5	14,99
0144	048245			S				GASKET	3,65
0145	049436			S				NUT; M20X1,5	3,87
0146	049586							PIN	3,34
0147	049579							BRACKET	c,d,k,m,n,s,z 8,77
0148	048710			S				DAMPER	7,32
0149	0L0100							SCREW; TE M12X1,75X80 AISI	3,37
0150	0L0101							NUT; M12X1,75	2,33
0151	075601		0L0616	D		CGX200 4-14		CONTACT	Up to ser. nr.: 443
0151	0L0616			A	+	CGX200 4-14		CONTACT	From ser. nr.: 444 20,40
0152	049238		0L0615	D		CGX200 4-14		BUTTON WHITE	Up to ser. nr.: 443
0152	0L0615			A	+	CGX200 4-14		PUSH BUTTON; WHITE	From ser. nr.: 444 28,01



PLATON SERVICE

8 (800) 500-34-41

www.platonservice.com



**ill. 641804p2**  
**Componenti idraulici / Hydraulic components**

Da Ser.Nr./From Ser.nr.: /222....

Page: 3

Ed. 2006-03

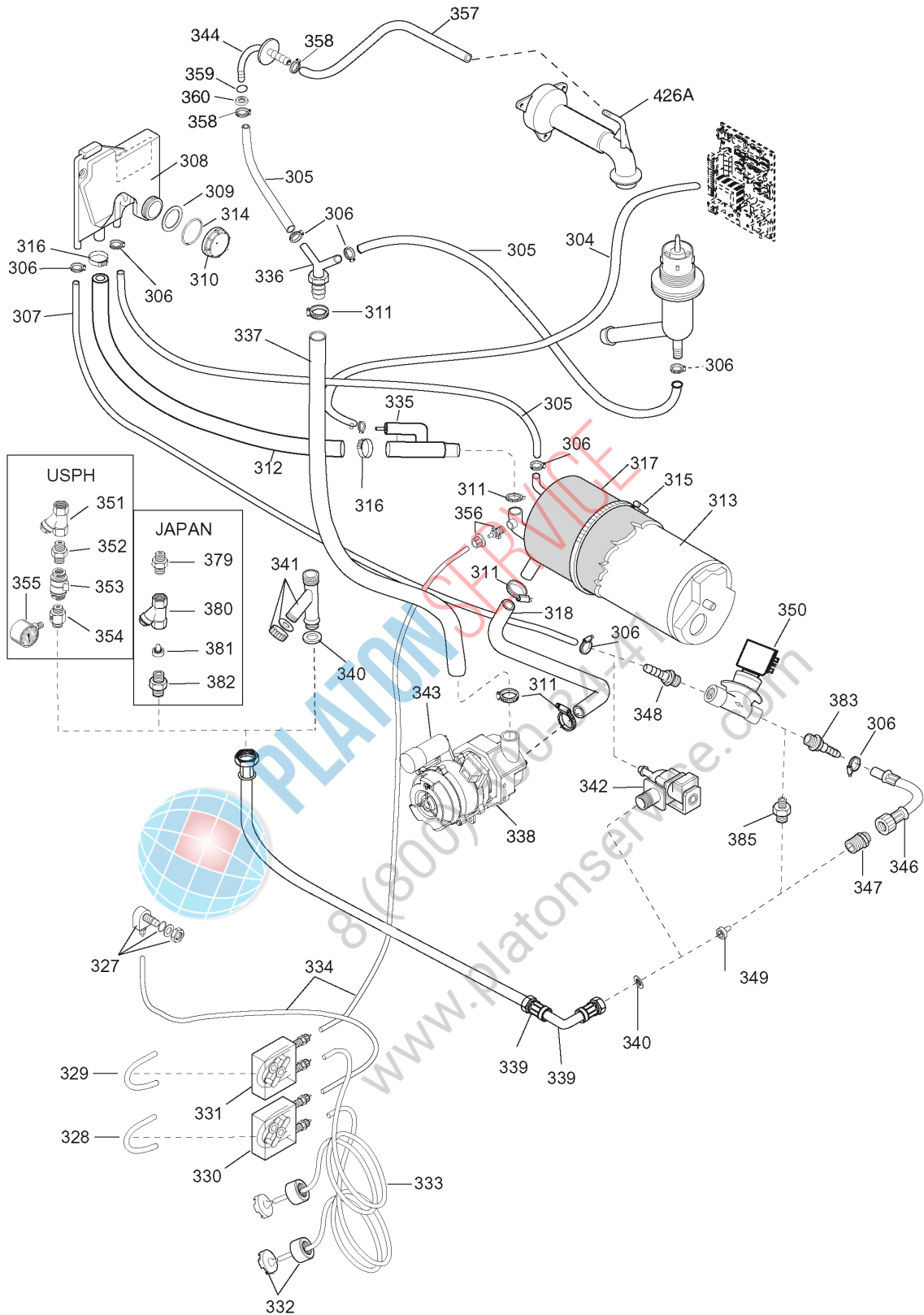
**Doc. Nr.: 6-41 804**

??????		504222									
??????		6-41804		???????? 3		Hydraulic components					
.		Alias		S		.				(Euro)	
0201	048308			S	+			AIR TRAP; FOR PRESSURE GAUGE		4,44	
0202	068642			S	+			O-RING; ØI=15,54X2,62		1,02	
0203	046946			S	+			CLAMP; 8-12/7,5		2,22	
0204	048883							RUBBER HOSE; 5X12; 1PZ=2300MM		12,31	
0205	0L0027			S	A			WASH PUMP; 2254/S; 230/400V 50HZ	a,b,c,d,e,f,k,l,m,o,s,z - From Ser. nr.: 306	481,10	
0206	048531			S	+			RUBBER HOSE; ØI=12MM;ØE=19,5MM;BY METER		9,55	
0207	000000										
0208	046853			S	+			HOSE CLAMP; 60-80/9		2,53	
0209	049268			S	+			HEX NUT; M14X1,5		1,80	
0210	0L0558		0L0612					TUBE; D.42*51 L . 0,105 MT	Up to ser. nr.: 443		
0210	0L0612			S				SLEEVE	From ser. nr.: 444	6,97	
0211	0L0193			S				CLMAP; 40-60/9		2,01	
0212	0L0185		068799					OR; 164 3,53X60,33			
0213	049596					CGX200 5-18		RING NUT	Up to Ser. nr.: 425	6,68	
0213	0L0557			S				RING NUT; Ø MAX=96MM; H=25MM	From Ser. nr.: 426	4,03	
0214	049593			S				O-RING; ØI=72,39X5,34 MM		1,91	
0215	049595		0L0556	D		CGX200 5-18		PIPE	Up to Ser. nr.: 425		
0215	0L0556			S				PIPE; FOR WASHING ARMS SUPPORTS	From Ser. nr.: 426	49,43	
0216	045456		0L0613	D				HOSE; 95 MM	Up to ser. nr.: 443		
0216	0L0613			S				SLEEVE	From ser. nr.: 444	8,17	
0217	049810			S				FILTER FOR PUMP		33,09	
0218	048242			S				COUPLING		13,68	
0219	048235			S				SUPPORT F. LOWER JETS		40,90	
0220	048931			S				SHUTTER		3,27	
0221	048979			S	+			SNAP RING		1,42	
0222	048236			S	+			GASKET		3,69	
0223	048237			S				RING NUT; LOWER JETS SUPPORT		5,29	
0224	048401			S		06001		HUB; FOR WASH ARM		21,32	
0225	0L0597				A	CGX200 4-10		WASHING JET; ASS.		53,39	
0226	048632			S				LOCK WASHER		9,50	
0227	048716		0L2095					RINSE JET			
0228	048714					CGX200 2-09		PLUG; FOR RINSE ARM		1,02	
0229	048290			S				PIN; L=43MM; FOR RINSE ARMS		16,79	
0230	048231			S				PLUG; FOR DRAIN SUPPORT		5,29	
0231	048230			S	+			GASKET		5,89	

??????	504222								
??????	6-41804		???????? 3				Hydraulic components		
.		Alias		S			.		(Euro)
0232	049600			S				SUPPORT	10,67
0233	048229			S				GASKET; ØI=46,04X3,53 MM	1,02
0234	048250			S				OWERFLOW PIPE	a,b,c,d,e,f,g,h,i,l,m,n,o,p,q,s 12,51
0239	046878			S		+		HOSE CLAMP; 35-50/9	1,91
0242	048853			S		+		AIR CHAMBER	4,01
0243	068642			S		+		O-RING; ØI=15,54X2,62	1,02
0244	049268			S		+		HEX NUT; M14X1,5	1,80
0246	049436			S				NUT; M20X1,5	3,87
0247	046799			S		+		O-RING; FOR OVERFLOW PIPE	1,02
0248	049634							SUPPORT	Up to Ser. nr.: 619 153,30
0248	0L0051			S				SUPPORT; UPPER JET	From Ser. nr.: 620 28,72
0249	049849			S				STOPPER	a,b,c,d,e,f,g,h,k,l,m,n,o,p,q,s,z 1,02



PLATON SERVICE  
 8 (800) 500-34-41  
 www.platonservice.com



**iii. 641804p3**  
**Circuiti idraulico / Hydraulic circuit**

Da Ser.Nr./From Ser.nr.: /222....	<b>Doc. Nr.: 6-41 804</b>
Page: 5 Ed. 2006-03	



??????	504222								
??????	6-41804		???????? 5			Hydraulic circuit			
.		Alias		S		.			(Euro)
0304	072393			S				HOSE; Ø=4X7,4MM; L=500CM; PRESSURE SWITC	11,67
0305	048531			S	+			RUBBER HOSE; ØI=12MM;ØE=19,5MM;BY METER	9,55
0306	048126			S	+			CLIP; 13-20	1,58
0307	048531			S	+			RUBBER HOSE; ØI=12MM;ØE=19,5MM;BY METER	a,b,c,d,e,f,g,h,i,l,m,n,o,p,q,s
0308	049459			S	+			AIR GAP	a,b,c,d,e,f,g,h,i,l,m,n,o,p,q,s
0309	046595			S	+			GASKET	2,33
0310	049480			S	+			RING NUT; FOR AIR GAP	2,53
0311	047578			S	+			CLAMP; 26-38	1,80
0312	049287		0L4453	A				HOSE; ØE=30MM; ØI=25MM; L=430MM	10,39
0313	049987		0L0514	D		CGX200 3-08		SUPERHEATER	Up to ser. nr. 322
0313	0L0346		0L1928	D				BOILER; ASS.	From ser. nr. 323
0314	049460			S	+			O-RING; ØI=53,65MM; ØE=58,89MM	1,02
0315	048436			S				HOSE CLAMP 226-256	7,43
0316	049772			S		Kit		CLIP; SET 5PCS	Up to ser. nr.: 327
0316	0L0367			S				CLAMP; 33/9; AISI 304	From ser. nr.: 328
0317	049415			S				INSULATION	20,16
0318	049599			S				PIPE	21,21
0327	049801					CGX200 0-22		DETERGENT INJECTOR	k,s,z
0328	049419			S	+			DETERGENT DISPENSER HOSE; WITH JOINTS	14,18
0329	049418			S	+			RINSE AID DISPENSER HOSE	14,18
0330	0L0696		0S1986	D				PUMP; F/DETERGENT	k,s,z - From ser. nr.: 522
0331	049625		0S2285	D		CGX200 4-17		RINSE AID PERIST. PUMP; 0,4L/ H-3BAR	Up to ser. nr.: 521
0331	0L0697		0S2285	D				PUMP	From ser. nr.: 522
0332	049356		0S1028					FILTER	
0333	049359			S				SUCTION HOSE; 4000 MM	15,50
0334	049360		0L1163	D				HOSE	
0335	049628		0L0098					AIR TRAP	
0336	049289		0L0365					CONNECTION 3 WAY; DIAM 27-12	Up to ser. nr.: 327
0336	0L0365			S				Y-FITTING; 3-WAYS	From ser. nr.: 328
0337	049773			S	+			HOSE; 25,5X36MM; L=1000MM	28,42
0338	0L1079		0L1640	A	+			PUMP; 220/240 50HZ	a,b,c,d,e,f,g,h,i,o,s,z - 50Hz - From ser. nr.: 608
0340	049201			S	+			GASKET; DIA 3/4"	1,02
0341	048746			S				WATER FILTER; 3/4" M-F	Up to ser. nr.: 429
0341	048834			S				STRAINER	From ser. nr.: 430
0342	0L0568		0L3446	A				SOLENOID VALVE; 1 WAY;220-240V 50-60 HZ	a,b,c,d,e,f,g,h,i,l,m,n,o,s

??????	504222									
??????	6-41804		???????? 5				Hydraulic circuit			
.		Alias		S			.			(Euro)
0343	083406			S				CAPACITOR; 5MF	a,b,c,d,e,f,k,l,o,g,h,s,z - 5.0 µF	15,52
0344	0L0052							CONNECTION	From Ser. nr.: 620	24,26
0345	049628		0L0098					AIR TRAP		
0347	000000									
0356	049652			S				CONNECTION		4,88
0357	0L1115			S				TUBE; 12X19,5 L=320	From Ser. nr.: 620	10,93
0358	049888			S				HOSE CLAMP	From Ser. nr.: 620	4,22
0359	046799			S		+		O-RING; FOR OVERFLOW PIPE	From Ser. nr.: 620	1,02
0360	049436			S				NUT; M20X1,5	From Ser. nr.: 620	3,87
426A	000000									

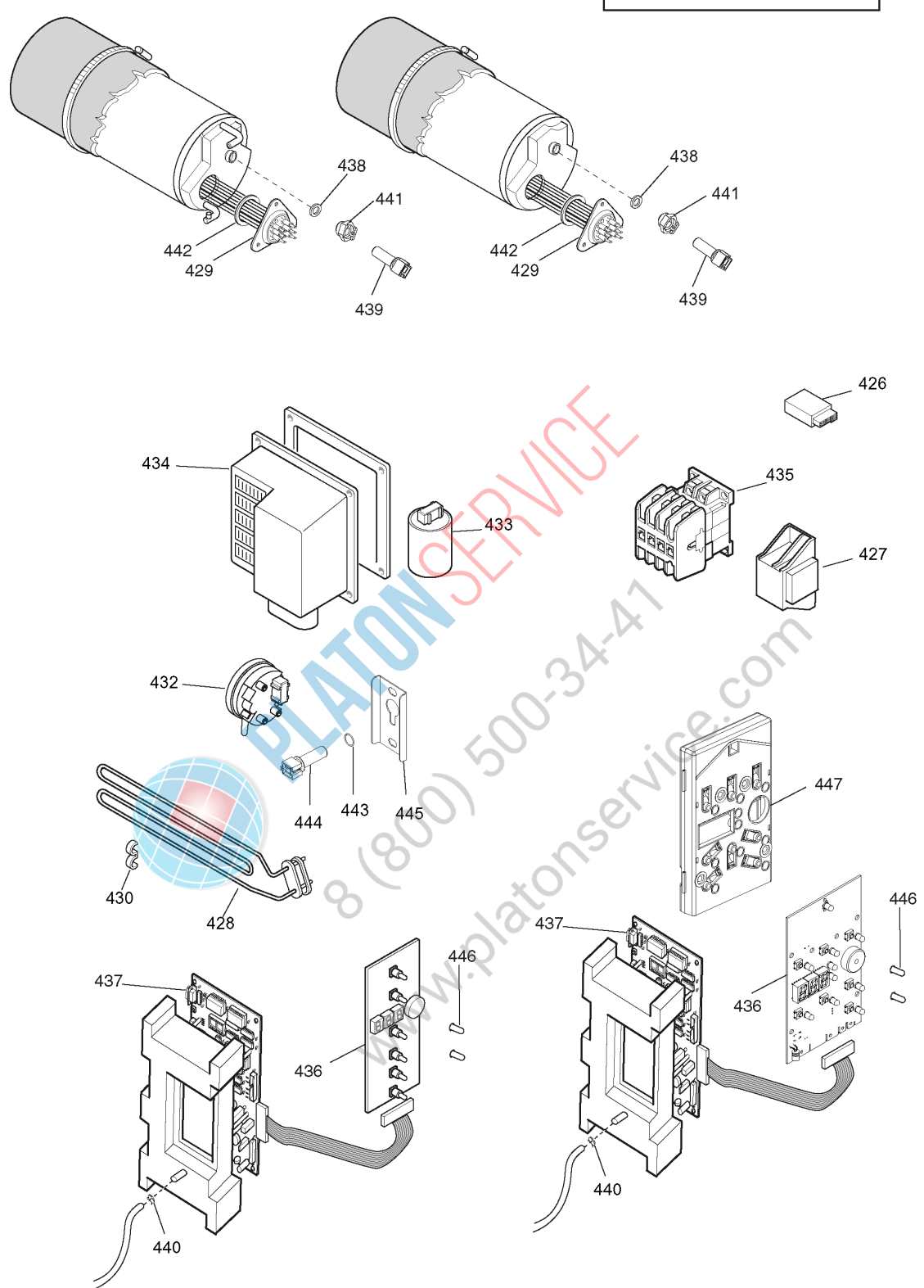


PLATON SERVICE

8 (800) 500-34-41

www.platonservice.com

\* Cablaggio/Wiring harness: 490



ill. 641804p4  
Componenti elettrici / Electrical components

??????	504222								
??????	6-41804	???????? 7	Electrical components						
.		Alias		S			.		(Euro)
0428	048491		0L1870				TANK HEATING ELEMENT; 3000W 230V	a,b,c,d,e,f,g,h,k,l,o,s,z - Up to Ser. Nr.: 823	
0428	0L1870			S	A		HEATING ELEMENT; 230V-3000W	a,b,c,d,e,f,g,h,k,l,o,s,z - From Ser. Nr.: 824	30,45
0429	049997		0L2727				HEATING ELEMENT; 10500W 230V	b,d,e,h,l,m,o,s	
0430	048429			S			BRACKET		2,01
0432	049620			S			PRESSURE SWITCH; CALIB.= 250/130-390		20,00
0433	049303			S		+	RADIO INTERFERENCE FILTER; 250V 50/60HZ	a,b,c,d,e,f,g,h,k,l,m,n,o,p,q,s,z	23,55
0434	049618		0L0111				TERMINAL BOARD	Up to Ser. 244	
0434	0L0111			S			JUNCTION BOX	From Ser. 245	40,30
0435	0L0285			S	A		CONTACTOR; 220-240V 50HZ/240-264V 60HZ	a,b,c,d,e,f,k,l,m,o,r,s,z - From ser.nr.: 318	28,84
0436	049998		0L3876				PCB;LS14	a,b,c,d,e,f,g,h,k,l,o,p,q,s,z,r,t - From ser.nr.: 417 Up to ser. nr.: 421	
0436	0L0548		0L3876		D		USER INTERFACE BOARD	a,b,c,d,e,f,g,h,k,l,o,p,q,s,z,r,t - From ser.nr.: 422 Up to ser. nr.: 523	
0436	0L0709		0L3876				USER INTERFACE BOARD; PW HT	a,b,c,d,e,f,g,h,k,l,m,n,o,p,q,s,z - From ser. nr.: 524 Up to Ser. nr.: 622	
0436	0L1240		0L3876				USER INTERFACE BOARD; PW HT	a,b,c,d,e,f,g,h,k,l,m,n,o,p,q,s,z - From ser. nr.: 623 Up to Ser. nr.: 742	
0436	0L1566		0L3876		D	+	USER INTERFACE BOARD; HT ACTIVE	a,b,c,d,e,f,g,h,k,l,m,n,o,p,q,s,z - From ser. nr.: 743	
0437	0L1412		0L2583		D		PCB; DIWAP10	a,b,c,d,e,f,g,h,k,l,m,n,o,p,q,s,z - Up to Ser. Nr.: 820	
0437	0L1811		0L2583				MOTHERBOARD; DIWAP10	a,b,c,d,e,f,g,h,k,l,m,n,o,p,q,s,z - From Ser. Nr.: 821	
0438	046376		0Q0002		D		O-RING	From ser. nr. 323	
0438	067898			S		+	O-RING; ØI= MM.6,07X1,78	Up to ser. nr. 322	1,02
0439	049643			S		+	TEMPERATURE PROBE	From ser. nr. 323	9,76
0439	049884			S			TEMPERATURE PROBE	Up to ser. nr. 322	48,92
0440	0E5993		0L0815			+	HOSE CLAMP; DIA.7,8-8,3MM		
0441	067899			S		+	STUFFING BOX	Up to ser. nr. 322	4,75
0441	0L0280			S	A	+	STUFFING BOX	From ser. nr. 323	11,51
0442	049909			S			O-RING; ØI=56,52X5,34 MM	Up to Ser. nr.: 305	9,98
0442	0E5037					+	CGX200 0-46 HEATING ELEMENT GASKET;DIA.56,52XSP.5,33	From Ser. nr.: 306	1,43
0443	046376		0Q0002		D		O-RING		
0444	049643			S		+	TEMPERATURE PROBE		9,76
0445	049580						SUPPORT	Up to ser. nr.: 327	14,65
0445	0L0366			S			SUPPORT	From ser. nr.: 328	3,44
0447	0L1568		0L3876		D	+	USER COVERING; LS14	a,b,c,d,e,f,g,h,k,l,m,n,o,p,q,s,z - From Ser. Nr. 743	
0490	049844						WIRING HARNESS	Up to ser. nr.: 305	193,90
0490	0L0467		0L2491		D		WIRING HARNESS	b,d,e,h,k,l,o,s,z - From ser. nr.: 306	